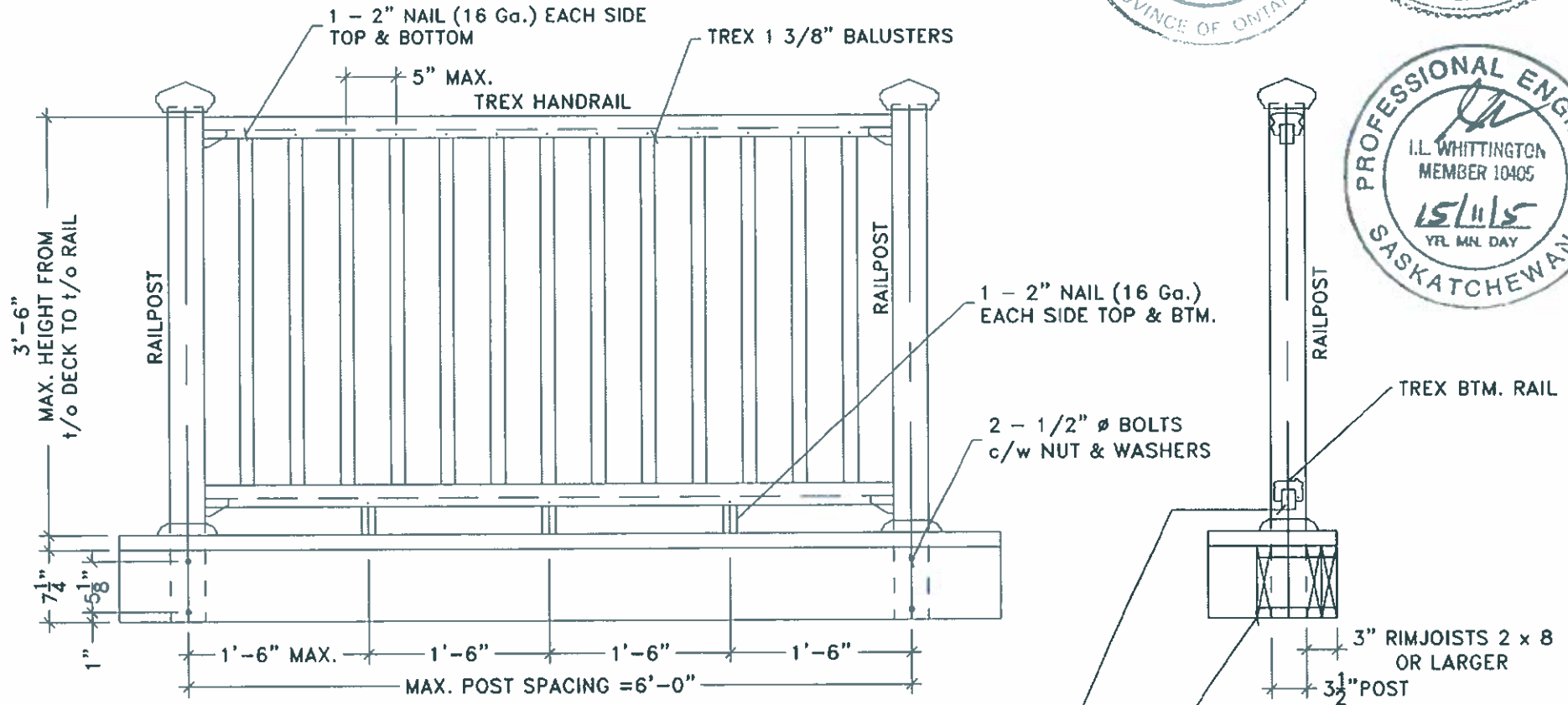
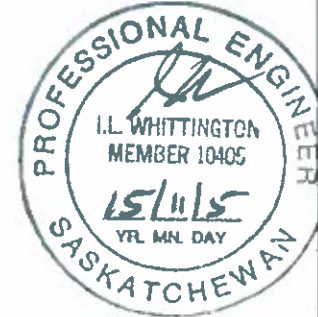
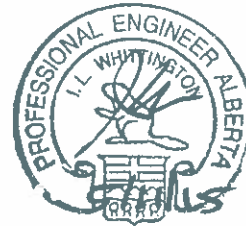


TREX®

TREX TRANSCEND SERIES RAILING ASSEMBLY DETAIL

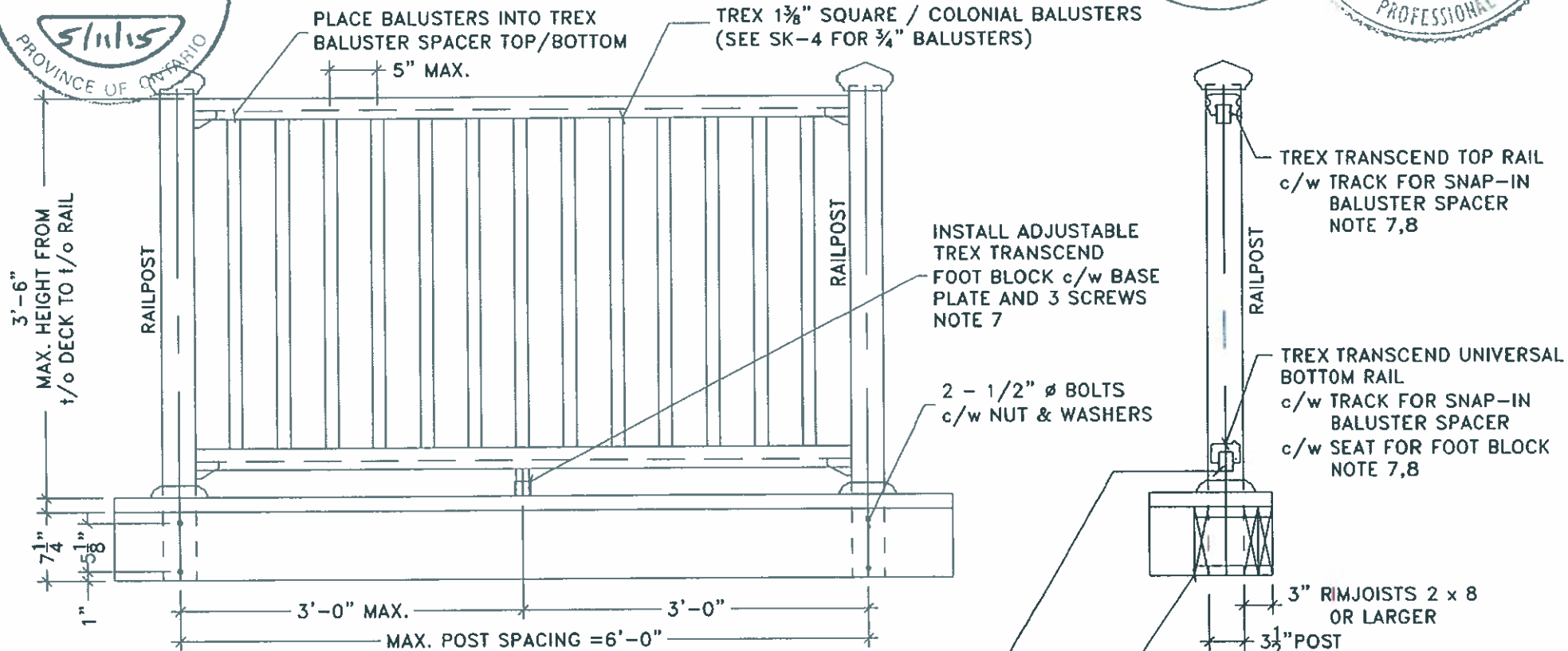
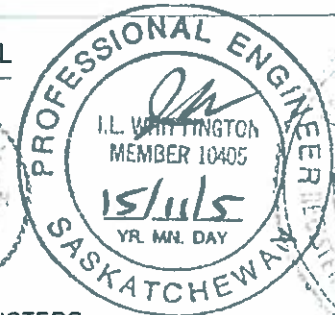


TREX RAILING SUPPORT BRACKET (RSB) – TYP. 4 LOCATIONS
 FASTEN TO POST WITH 2 – #9 X 1 5/8" DECK SCREWS
 FASTEN TO RAILING WITH 2 – #9 X 1 5/8" DECK SCREWS
 HARDWARE PROVIDED WITH RSB

- NOTES:**
1. Consult your local building codes for approval prior to construction.
 2. This rail system is to be used only for single and multiple family dwellings, three (3) stories or less in height conforming to OBC 2012/NBCC 2010 Part 9 buildings.
 3. RAILPOST shall be either a TREX RAILPOST or a 4x4 Pressure Treated Post #2 or btr. c/w a TREX 4x4 Post Sleeve.
 4. DO NOT notch posts.
 5. Hot Dipped Galvanized or otherwise protective coated fasteners shall be used.
 6. TREX RAILPOST/4x4 P.T. Post & Sleeve detail above satisfies the 225 lb. or 50 PLF horizontal load requirements of the OBC 2012/NBCC 2010 for guards.

TREX®

TREX TRANSCEND SERIES RAILING ASSEMBLY DETAIL

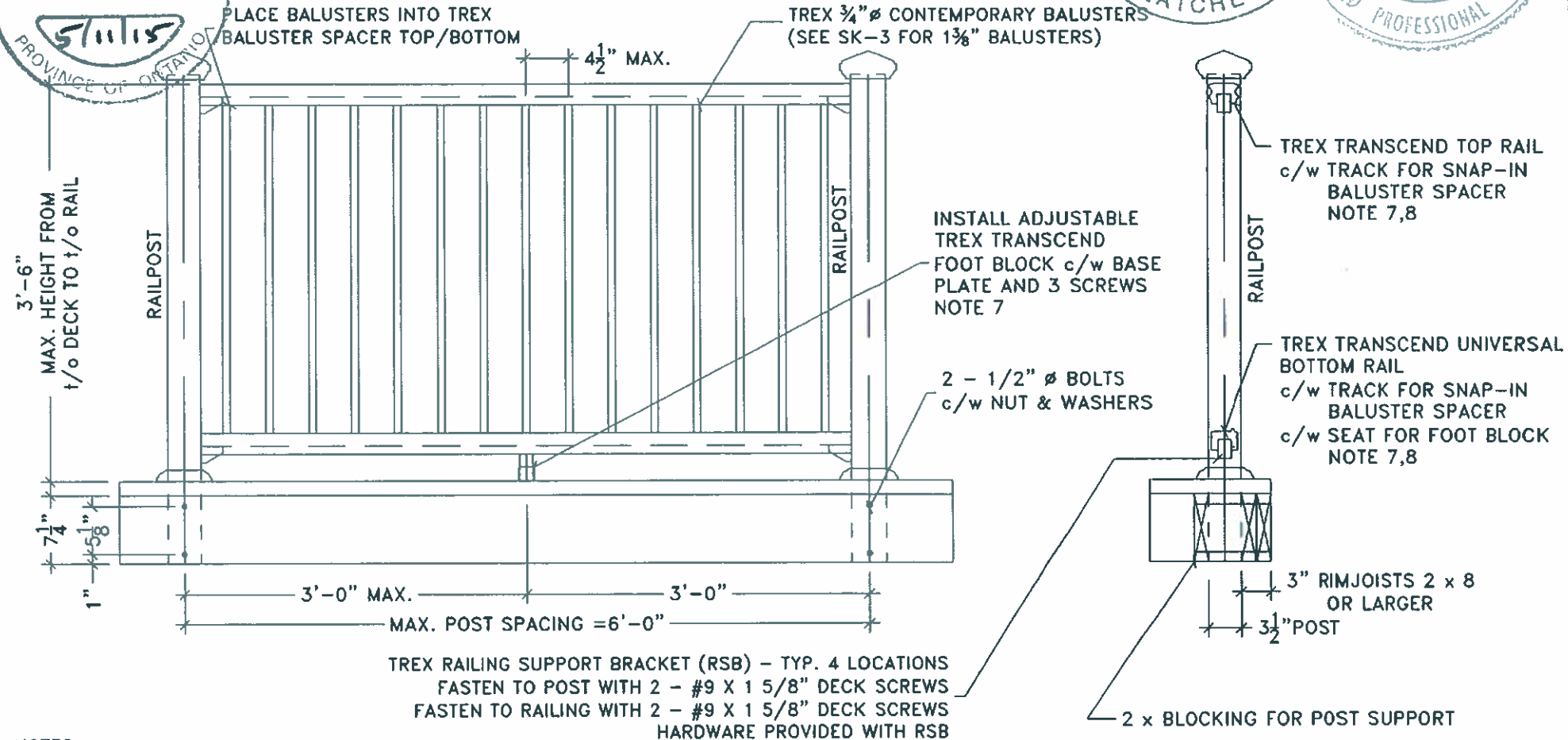
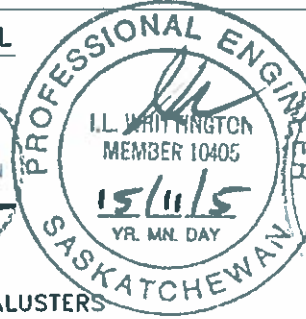
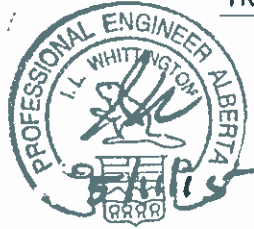


NOTES:

1. Consult your local building codes for approval prior to construction.
2. This rail system is to be used only for single and multiple family dwellings, three (3) stories or less in height conforming to OBC 2012/NBCC 2010 Part 9 buildings.
3. RAILPOST shall be either a TREX RAILPOST or a 4x4 Pressure Treated Post #2 or btr. c/w a TREX 4x4 Post Sleeve.
4. DO NOT notch posts.
5. Hot Dipped Galvanized or otherwise protective coated fasteners shall be used.
6. TREX RAILPOST/4x4 P.T. Post & Sleeve detail above satisfies the 225 lb. or 50 PLF horizontal load requirements of the OBC 2012/NBCC 2010 for guards.
7. Review '2014 Trex Decking & Railing Installation Guide' for additional manufacturer's instructions.
8. Use correct baluster spacer for option selected.

TREX®

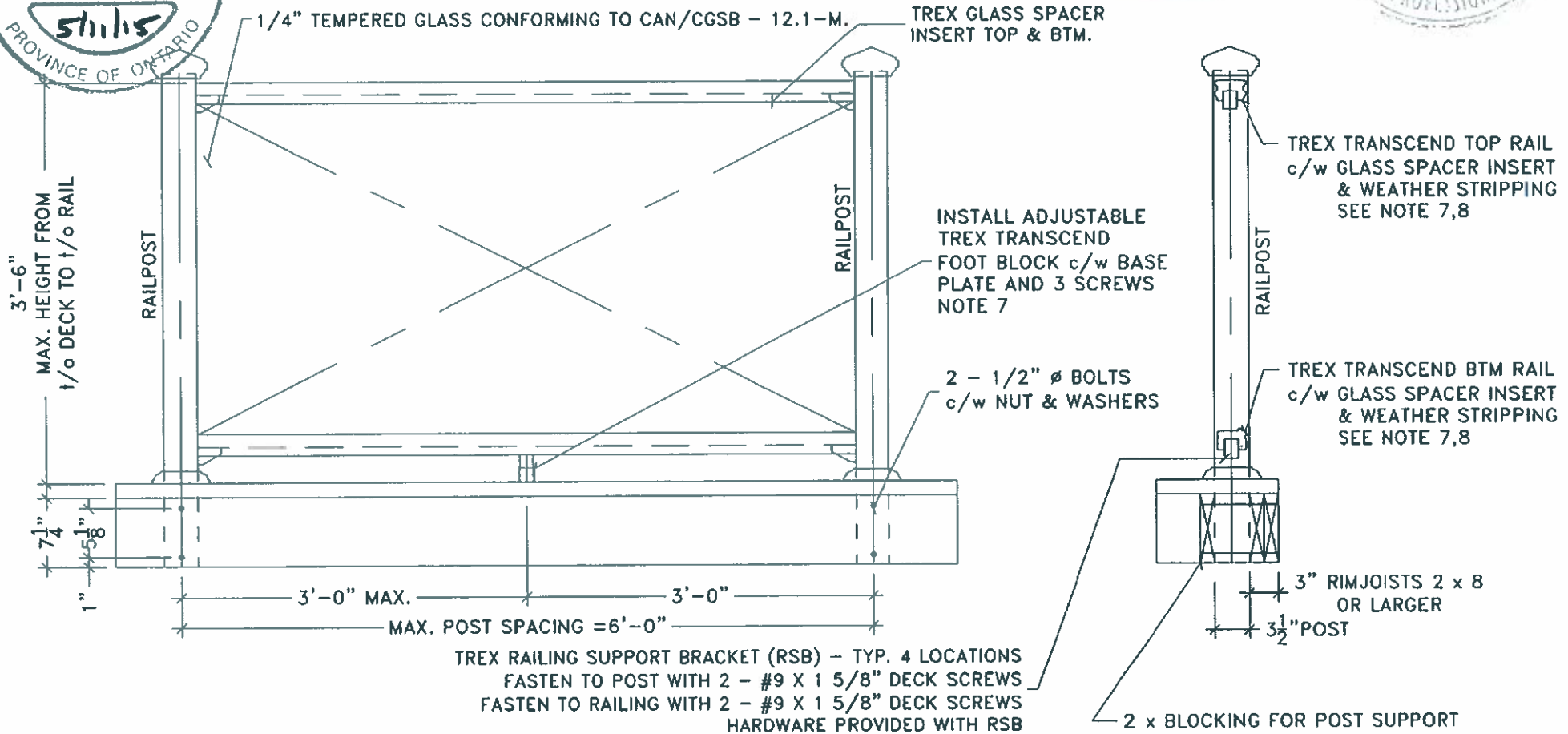
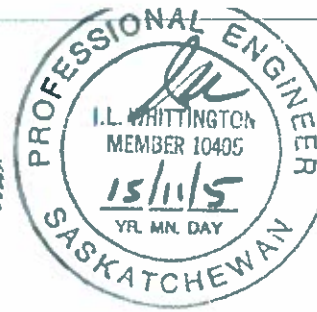
TREX TRANSCEND SERIES RAILING ASSEMBLY DETAIL



- NOTES:**
1. Consult your local building codes for approval prior to construction.
 2. This rail system is to be used only for single and multiple family dwellings, three (3) stories or less in height conforming to OBC 2012/NBCC 2010 Part 9 buildings.
 3. RAILPOST shall be either a TREX RAILPOST or a 4x4 Pressure Treated Post #2 or btr. c/w a TREX 4x4 Post Sleeve.
 4. DO NOT notch posts.
 5. Hot Dipped Galvanized or otherwise protective coated fasteners shall be used.
 6. TREX RAILPOST/4x4 P.T. Post & Sleeve detail above satisfies the 225 lb. or 50 PLF horizontal load requirements of the OBC 2012/NBCC 2010 for guards.
 7. Review '2014 Trex Decking & Railing Installation Guide' for additional manufacturer's instructions.
 8. Use correct baluster spacer for option selected.

TREX®

TREX TRANSCEND RAILING GLASS PANEL ASSEMBLY DETAIL

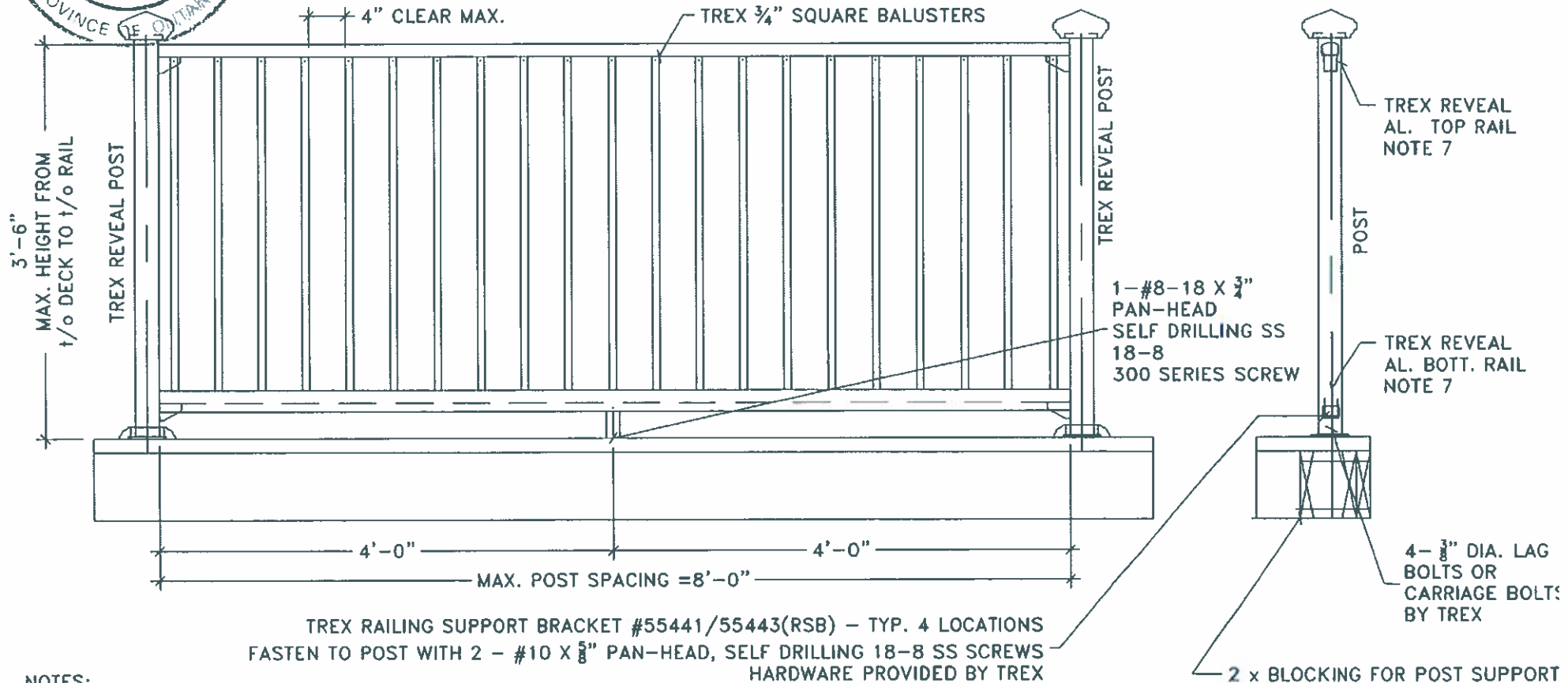
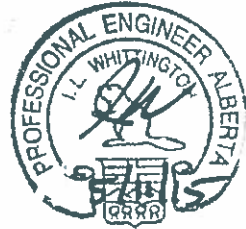


NOTES:

1. Consult your local building codes for approval prior to construction.
2. This rail system is to be used only for single and multiple family dwellings, three (3) stories or less in height conforming to OBC 2012/NBCC 2010 Part 9 buildings.
3. RAILPOST shall be either a TREX RAILPOST or a 4x4 Pressure Treated Post #2 or btr. c/w a TREX 4x4 Post Sleeve.
4. DO NOT notch posts.
5. Hot Dipped Galvanized or otherwise protective coated fasteners shall be used.
6. TREX RAILPOST/4x4 P.T. Post & Sleeve detail above satisfies the 225 lb. or 50 PLF horizontal load requirements of the OBC 2012/NBCC 2010 for guards.
7. Review '2014 Trex Decking & Railing Installation Guide' for additional manufacturer's instructions.
8. Use correct baluster spacer for option selected.

TREX®

TREX REVEAL ALUMINUM SERIES RAILING: POST TO POST DETAIL



TREX RAILING SUPPORT BRACKET #55441/55443(RSB) – TYP. 4 LOCATIONS
 FASTEN TO POST WITH 2 – #10 X 5/8" PAN-HEAD, SELF DRILLING 18-8 SS SCREWS
 HARDWARE PROVIDED BY TREX

NOTES:

1. Consult your local building codes for approval prior to construction.
2. This rail system is to be used only for single and multiple family dwellings, three (3) stories or less in height conforming to OBC 2012/NBCC 2010 Part 9 buildings.
3. Structural POST shall be a TREX REVEAL POST (2"x2"x 0.09" wall extruded 6005-T5 aluminum post), c/w manufacturer welded base plate (3 7/8"x3 7/8"x 3/8" Thk.), c/w TREX shim.
4. DO NOT notch posts. Posts to be installed w/ screw line of base plate parallel to rail. Shim plates must be used with all structural posts.
5. Stainless Steel fasteners shall be used.
6. TREX RAILPOST/4x4 P.T. Post & Sleeve detail above satisfies the 225 lb. or 50 PLF horizontal load requirements of the OBC 2012/NBCC 2010 for guards.
7. Review '2014 Trex Decking & Railing Installation Guide' for additional manufacturer's instructions.